



Strand Lighting

P R O D U C T D A T A

**Mizar 200W Fresnel**

Small 3" studio Fresnel with DC bayonet socket for 200W FEV lamp. Supplied with yoke with 5/8" socket, 4 leaf barndoor 13 (4m) power cable with in-line switch and molded GR connector.

☑ 200W ☑ 120V ◀ 14°- 43° ⚖ 4lbs. (1.8kg)  
 ✱ 97 FC [spot] 27 FC [flood] (1044 lux [spot] 290 lux [flood]) ⚡ 12' (5m) ⚗ 4.375" dia. (110mm) dia. 📦 4.4lbs. (2kg) 📦 0.28 Cu.ft. (0.008m³)  
 ✓ EN60 598 2-17

Cat. No.	Description
26456	Mizar 200W Fresnel, GR connector

**Mizar 500W Fresnel**

Small 3" 500W studio Fresnel with GY9.5 socket for 300W FKW or 500W FRG lamp. Supplied with yoke with 5/8" socket, 13' (4m) power cable with in-line switch and molded GR connector.

☑ 500W ☑ 120/220V ◀ 13°- 46° ⚖ 4lbs. (1.8kg)  
 ✱ 236 FC [spot] 55 FC [flood] (2540 lux [spot] 600 lux [flood]) ⚡ 12' (5m) ⚗ 4.375" dia. (110mm) dia. 📦 4.4lbs. (2kg) 📦 0.28 Cu.ft. (0.008m³)  
 ✓ EN60 598 2-17

Cat. No.	Description
26206	Mizar 500W Fresnel, GR connector

**Mizar Accessories**

Cat. No.	Description
100Q/CL/DC100W	120V lamp, for 3101ST
150Q/CL/DC150W	120V lamp, for 3101ST
FEV	200W 120V lamp, for 3101ST
FKW	300W 120V lamp, for 3102ST
CP81	300W 220V lamp, for 3102ST
FRG	500W 120V lamp, for 3102ST
FRF	500W 120V lamp, for 3102ST
CP82	500W 220V lamp, for 3102ST
T18	500W 220V lamp, for 3102ST
28047	Additional color frame
28048	Additional barndoor, 4-leaf rotating
28351	Scrim Set No1 1A - 5 piece (2 full double, 1 full single, 1 half double, 1 half single)
28049	Cone, variable 30/50/70mm
82602	Small gaffer grip, 5/8" (16mm) spigot
95558	C-clamp with 5/8" (16mm) spigot
81004	Lightweight stand with 5/8" (16mm) spigot

**Iadi 1000W**

Fill and Cyc light for use in video and television. Iadi Fill is fitted with a symmetrical reflector for a wide angle, even beam. Iadi Cyc is fitted with an asymmetric reflector for lighting backings cycs etc from above or below. Supplied with yoke with 5/8" (16mm) socket, wire safety mesh, barndoors, 13' (4m) power cable with in-line switch and molded GR connector. Optional reflectors available for barndoors. Iadi is invaluable as a kit light.

☑ 1000W ☑ 120V ◀ 73°(Vert) 89°(Horiz)  
 ⚖ 5lbs. (2.3kg) ✱ 130 FC (1444 lux) ⚡ 10' (3m)  
 📦 6lbs. (2.7kg) 📦 0.35 Cu.ft. (0.01m³)  
 ✓ EN 60598 2-17

Cat. No.	Description
26026	Iadi Fill, 1000W Floodlight, GR connector
26036	Iadi Cyc, 1000W Cyclight, GR connector

**Iadi Accessories**

Cat. No.	Description
FDF	500W 120V lamp
EJG	750W 120V lamp
EMF	800W 220V lamp
FHM	1000W 120V lamp
FCM	1000W 120V lamp
P2/28	1000W 220V lamp
28004	Double Scrim
28005	Single Scrim
28006	Dichroic Filter
28003	Set of 4 reflector panels
28007	Opaline Glass
95558	C-clamp with 5/8" (16mm) spigot
82003	Safety cable, 18" (457mm)

**Broad 1500W Floodlight**

Motion Picture & Television Floodlight for maximum fill. Uses 1000W or 1500W lamp. Supplied with C-clamp and 3' (1m) power cable.

☑ 1500W ☑ 120V ◀ 89° (horiz.) 44° (vert.)  
 ⚖ 5.5lbs. (25kg) ✱ 228 FC (2450 lux) ⚡ 10' (3m)  
 📦 6.6lbs. (3kg) 📦 4.7 Cu.ft. (0.133m³)

Cat. No.	Description	Old Part No.
26561	Broad, 1500W, bare leads	4520TV

Fitted connector options are: 26566-GR, 26567-GP, 26568-GTL.

**Broad 1500W Accessories**

Cat. No.	Description	Old Part No.
FFT	1000W 120V Lamp	
FDB	1500W 120V Lamp	
28010	Outrigger Color Frame	1155
28360	Barndoor 4-Leaf	1344
82003	Safety Cable	1500

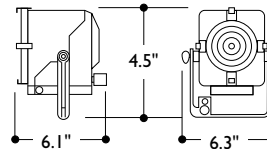
**A GUIDE TO SYMBOLS AND ABBREVIATIONS**

**GENERAL** ☑ Supply voltage ⚡ Current rating ⚖ Weight of product 📦 Packed weight 📦 Packed volume  
 📦 Overall dimension of product 📦 Compliance with international standards. ⚡ Watts (maximum recommended) ◀ Beam angle ⚡ Throw (usual working distance from subject in feet) ✱ Illuminance (maximum FC at throw distance stated with lamp recommended or supplied) ⚗ Color filter cut size LOA Lamp length overall LCL Lamp center length ST For stand mounting. (C-clamp required for hanging) IP International Protection (Ingress protection standard for dust, solids and moisture) IEC529 ENG Electronic Newsgathering

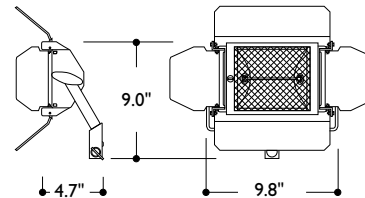
**2.5.2**  
 P O R T A B L E S

**MIZAR™**  
**200W or 500/300W Fresnel**  
**IADI™**  
**Cyc 8 Fill 1000W**  
**BROAD FILL™**  
**1000/1500W**

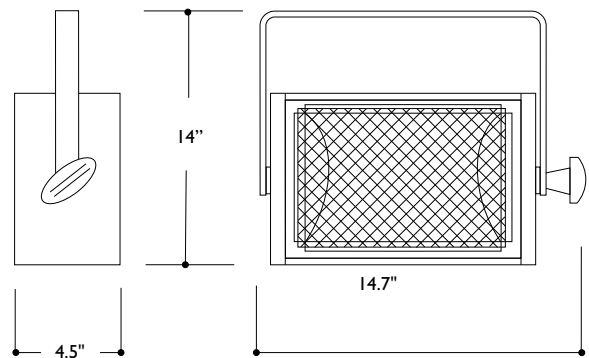
Mizar 200W or 500/300W Fresnel



Iadi Fill 1000W



Broad Fill 1000/1500



- A range of lightweight and compact luminaires
- Ideal for ENG and video lighting on location and in the studio
- Quick and easy to set up and knock down
- Range of accessories available

**Photometric Data**

Typical performance based on FEV 200W lamp

**Mizar 200W**

Throw (ft)	6		12		18		24	
	FC	Ø	FC	Ø	FC	Ø	FC	Ø
<b>Flood 43°</b>	110	4.7	30	9.4				
<b>Spot 14°</b>	390	1.47	100	2.94	45	4.4	25	5.8

Flood: Performance at any distance  $4000 \div \text{Distance}^2$ Spot: Performance at any distance  $14000 \div \text{Distance}^2$ 

Typical performance based on CP82 500W lamp

**Mizar 500W**

Throw (ft)	6		12		18		24	
	FC	Ø	FC	Ø	FC	Ø	FC	Ø
<b>Flood 46°</b>	225	5.1	56	10.1	25	15.3		
<b>Spot 13°</b>	805	1.36	200	2.7	90	4.1	50	5.4

Flood: Performance at any distance  $8100 \div \text{Distance}^2$ Spot: Performance at any distance  $29000 \div \text{Distance}^2$ 

Typical performance based on FCM 1000W lamp

**Iadi 1000W**

Throw (ft)	5		10		15		20	
	FC	Spread	FC	Spread	FC	Spread	FC	Spread
<b>Vertical 73°</b>	520	7.35	130	14.7	58	22.05	32.5	29.4
<b>Horizontal 89°</b>		9.8		19.6		29.5		39.3

Performance at any distance : Vertical  $13000 \div \text{Distance}^2$  Spread = Dist x 1.5Performance at any distance : Horizontal  $13000 \div \text{Distance}^2$  Spread = Dist x 2.0Flood: Performance at any distance  $6700 \div \text{Distance}^2$  Diameter = Dist x 1.6Spot: Performance at any distance  $36300 \div \text{Distance}^2$  Diameter = Dist x .5**Lamp Data**

Specify lamps for replacement to the following specifications

	Mizar		Iadi	Broad		
<b>Watts</b>	200W	500W	300W	1000W	100W	1500W
<b>Designation</b>	FEV	FRG	FGW	FCM	FFT	FDB
<b>Base</b>	DC	GY9.5	GY9.5	RSC	RSC	RSC
	Bayonet					
<b>LCL/LOA</b>	1 <sup>3</sup> / <sub>8</sub> "	1 <sup>1</sup> / <sub>2</sub> "	1 <sup>1</sup> / <sub>2</sub> "	4 <sup>1</sup> / <sub>16</sub> "	4 <sup>1</sup> / <sub>16</sub> "	6 <sup>9</sup> / <sub>16</sub> "
<b>Lumens</b>	5500	13000	7800	27500	27000	41200
<b>Rated Life-Hours</b>	50	150	150	400	300	400
<b>Color Temp</b>	3200K	3200K	3200K	3200K	3200K	3200K

**Electrical Data**

<b>Supply Voltage</b>	120V 60Hz
<b>Switching and Power Supply</b>	Mizar and Iadi: 3.0ft to in-line switch plus 8.5ft 3 x 16AWG to molded GR Connector. Broad: 3ft cable with bare ends.

**Environmental Data**

<b>Max Operating Ambient Temp</b>	115°F
<b>IP Rating</b>	IP20
<b>Tilt/Recommended angles of use</b>	90° - 0 - 90°

**Mechanical Data**

<b>Paint/Finish</b>	Special high temperature black paint finish.
<b>Lamp House</b>	Mizar: Pressure diecast in aluminum. Broad: Welded and rivetted steel Iadi: Steel construction vented for cooling with integral four way barndoors.
<b>Lens</b>	Heat resistant borosilicate Mizar: 3"
<b>Reflector</b>	Mizar: Hemispherical anodised aluminum reflectors optimised for each lamp/lens combination. Iadi Fill and Broad: Symmetrical linear aluminum. Iadi Cyc: Asymmetric linear aluminum.
<b>Mounting/Suspension</b>	Mizar: Cast aluminum yoke with offset <sup>5</sup> / <sub>8</sub> " socket Iadi: Flat strip aluminum yoke with <sup>5</sup> / <sub>8</sub> " socket. Broad: Flat strip aluminum to take C-clamp (supplied)

**Weights and Dimensions**

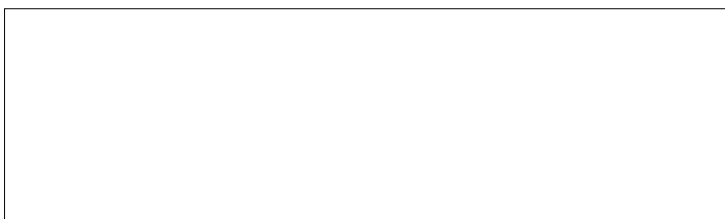
	Mizar	Iadi	Broad
<b>Weight</b>	4lb (1.8kg)	5lb (2.2kg)	5.5lb (2.5kg)
<b>Height</b>	8.25" (210mm)	9.0" (228mm)	14" (355mm)
<b>Length</b>	6.1" (154mm)	9.0"* (228mm)	14.7" (373mm)
<b>Width</b>	6.3" (160mm)	11.0" (280mm)	4.5" (114mm)

\*with doors open at 90°

**Operational Data**

<b>Lamp Access</b>	Mizar: Through hinged rear half which is released by <sup>1</sup> / <sub>4</sub> turn screw. Bambino: Through hinging lens door. Iadi and Broad: After removal of safety screen.
<b>Focus Adjustment</b>	By rear facing rotary control. Iadi is fixed focus.
<b>Accessory fitting</b>	Mizar: Drop-in accessories with spring loaded top catch for retention. Iadi: Integral barn doors. Broad: Runners to take drop in barndoor accessory

All the above fixtures are featured in kit form, catering to the needs of the motion picture, television and video industries. See separate Data Sheet for details.

**Strand Lighting**

**Los Angeles:** Strand Lighting Inc, 18111 South Santa Fe Avenue, P.O. Box 9004, Rancho Dominguez, CA 90221 USA. Tel: (310) 637 7500 Fax: (310) 632 5519  
Toll Free Tel: 800 487 0175 Toll Free Fax: 800 775 LEKO(5356)

**Toronto:** Strand Lighting Ltd, 2430 Lucknow Drive No 15, Mississauga, Ontario, Canada. L5S 1V3.  
Tel: (905) 677 7130 Fax: (905) 677 6859

**London:** Strand Lighting Ltd, Grant Way, Isleworth, Middlesex, TW7 5QD, United Kingdom.  
Tel: +44 (0)181 560 3171 Fax: +44 (0)181 568 2103

**Hong Kong:** Strand Lighting Asia Limited, 7/F Corporation Square, 8 Lam Lok Street, Kowloon Bay, Kowloon, Hong Kong. Tel: 852 2757 3033 Fax: 852 2757 1767

ALSO FACILITIES IN: **NEW YORK • ROME • WOLFENBÜTTEL • STOCKHOLM • BRUSSELS**

The Company reserves the right to make any variation in design or construction to the equipment described. © Strand Lighting Ltd 1995. Strand™, Strand Lighting™, Mizar™, Bambino™ and Iadi™ are trade marks of Strand Lighting Limited and Strand Lighting Inc. Strand Lighting is a company within the Film & Television Division of The Rank Organisation Plc, United Kingdom. Country of origin Italy.